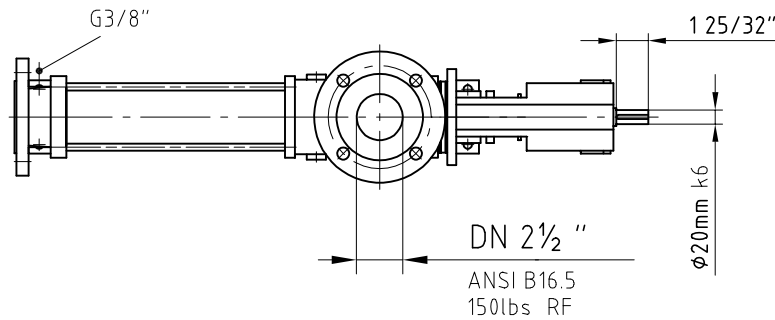
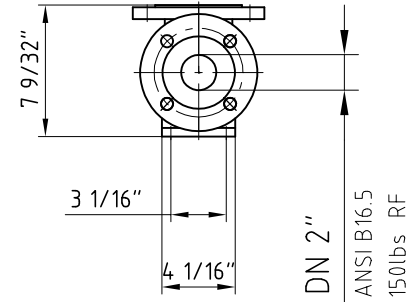
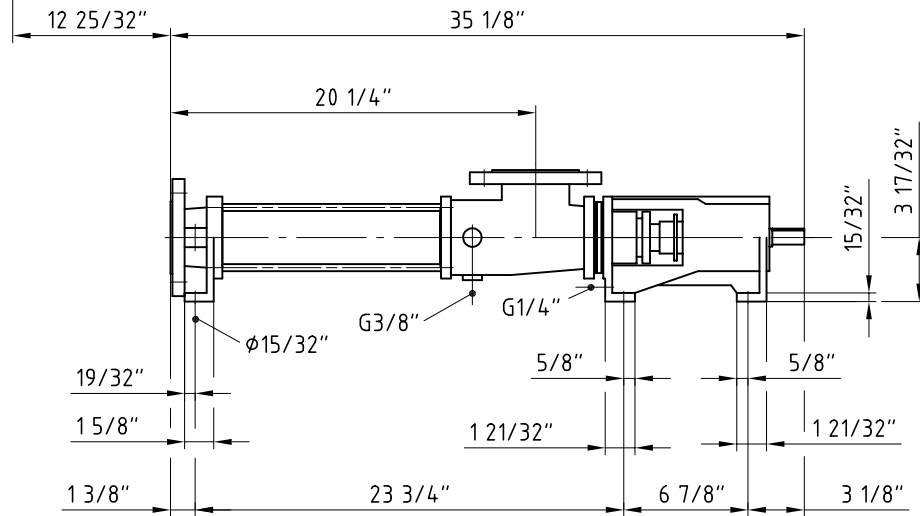
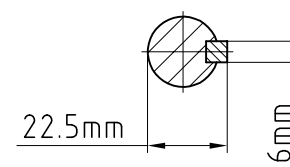


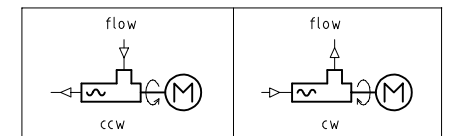
space allowing disassembly of the stator



fitting key DIN 6885



* design see pump data sheet



1	pump: NS 2-12/5-6L	8001				
Quant.	Denomination	Item	Material	Note		Weight / kg

seepex.com

seepex, Inc.
511 Speedway Drive
Enon, OH 45323
www.seepex.com

1994 Name
Drawn wfe
Checked

Day
09.06.

Scale
© 1:10
EDP-No.
L:\LFDZCHNG.100\10008.DWG

Weight
26 kg

Denomination
dimensional drawing
Drawing-no.
260-C01/0020-C-001A4